

YAKUT

KAZAN MAKİNA İMALAT
VE MÜHENDİSLİK LTD. ŞTİ.



compressed air tanks



www.yakutkazan.com
info@yakutkazan.com
www.yakuttank.com





2



YAKUT Tank - Machinery and Engineering Limited which was established in 1998 always accepted high quality standards and customer satisfaction as main company principles. And parallel to these principles our company kept on investing on technology and renewed the company profile to acquire highest industry standards.

PRESSURE TANKS, COMPRESSED AIR TANKS, SEPERATOR TANKS are our leading products which are manufactured and maintained in experienced hands. We also have services for **FUEL STORAGE - CHEMICAL STORAGE TANKS, STAINLESS AND GALVANIZATION TANKS.**



3

OUR PRODUCTS



COMPRESSED AIR TANKS

10 BAR - 15 BAR
30 BAR - 40 BAR

500 LT. - 50.000 LT.



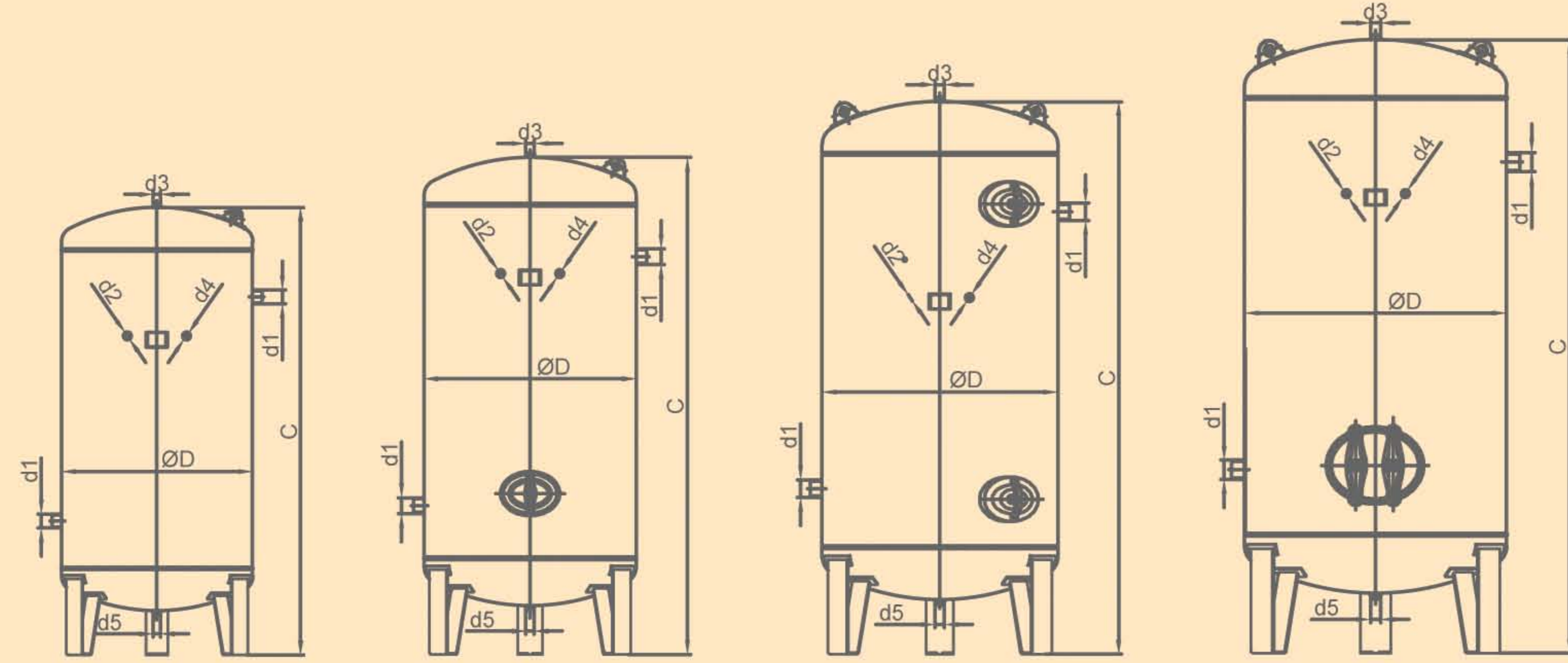
HIGH QUALITY STANDARDS

- Quality Guarantee
- High Technology Standards
- Professional Staff
- After Sales Services



TANK DIMENSIONS TABLE

87/404/AT 97/23/EC VERTICAL AIR TANKS



Kapasite (LT) Volume	Tasarım Basınçları (bar) Design Pressures			Ölçüler / Dimensions		
				ØD (mm)	C (mm)	Temizleme Kapağı Cleaning Cover
40 LT	11	16	40	323	750	-
50 LT	11	16	40	323	850	-
100 LT	11	16	40	323	1450	-
200 LT	11	16	40	500	1450	-
300 LT	11	16	40	500	1800	-
500 LT	11	16	40	600	2000	-
1000 LT	11	16	40	850	2150	160x110
1500 LT	11	16	40	1000	2300	160x110(2x)
2000 LT	11	16	40	1150	2350	160x110(2x)
3000 LT	11	16	40	1400	2450	320x420
4000 LT	11	16	40	1400	3250	320x420
5000 LT	11	16	40	1400	3750	320x420
6000 LT	11	16	40	1600	3600	320x420
8000 LT	11	16	40	1600	4600	320x420
10000 LT	11	16	40	1900	4300	320x420

Kapasite (LT) Volume	Manşon Ölçüleri / Socket Dimensions				
	d1	d2	d3	d4	d5
40 LT	1"	1/2"	2"	1/2"	2"
50 LT	1"	1/2"	2"	1/2"	2"
100 LT	1"	1/2"	2"	1/2"	2"
200 LT	1"	1/2"	2"	1/2"	2"
300 LT	1"	1/2"	2"	1/2"	2"
500 LT	1 1/4"	1/2"	2"	1/2"	2"
1000 LT	1 1/2"	1/2"	1"	1/2"	3/4"
1500 LT	2"	1/2"	1"	1/2"	3/4"
2000 LT	2"	1/2"	1"	1/2"	3/4"
3000 LT	2"	1/2"	1"	1/2"	3/4"
4000 LT	DN80	1/2"	1 1/2"	1"	1"
5000 LT	DN80	1/2"	1 1/2"	1"	1"
6000 LT	DN80	1/2"	2"	1"	1"
8000 LT	DN100	1/2"	2"	1"	1"
10000 LT	DN100	1/2"	2"	1"	1"

NOTES:

- 1) All tanks are certified by CE.
- 2) Tanks are painted with electrostatic powder paint.
- 3) Special design tanks for different volumes and pressure range can be produced.
- 3) Material P265 GH - P355 GH steel, stainless steel, hot galvanized steel.

AIR / OIL SEPERATORS



SPECIAL DESIGNED SEPERATOR TANKS



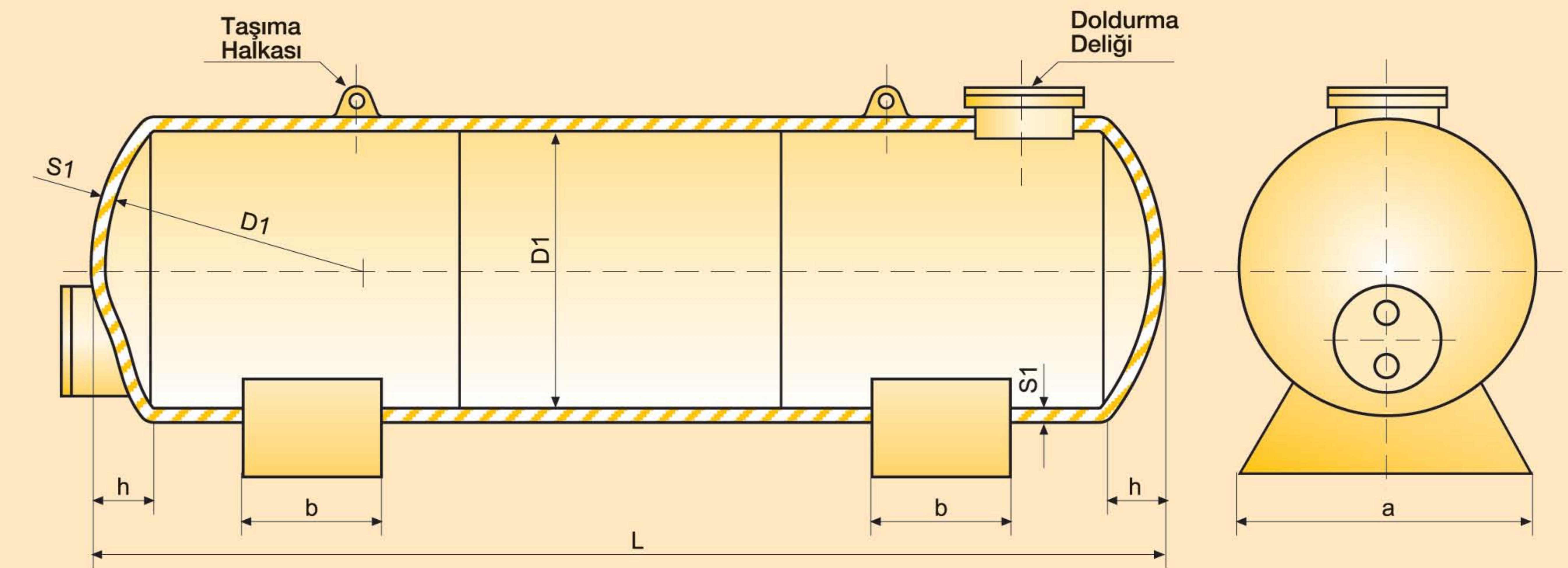
FUEL TANKS - CHEMICAL STORAGE TANKS

FUEL STORAGE



- Aboveground Fuel Tanks
- Underground Fuel Tanks
- Vertical Fuel Tanks
- 50 m³ - 5.000 m³

Carbon Steel
Stainless Steel



Volume (m ³)	1	3	5	7	10	13	16	20	25	30	40	50	60	80	100
Outer Diameter D1	1000	1250	1600				2000			2500			2900		
Total Length L	1510	2750	2820	3740	5350	6960	8570	6960	8510	10120	8800	10800	12800	12750	15950
Camber Height h	180	220	260				320			400			450		
Sheet Thickness S1	5				6			7			9				
Filling Hole Inner Diameter D2	500				600										
Number of Bearing Coils	1				2										
Tank Stand b	350		525			600			950			1350			
Dimensions a	1400				1600			2000			2400				
Weight (kg)	500	750	890	1030	1350	1700	2000	2550	3000	3600	4600	5500	6500	9750	11750

tank manhole dimensions

INNER DIAMETER D2	c1 DISTANCE (mm)	SHEET DISTANCE S2	DIAMETER of FLANGE DAMPER D3	HOLE AXIS DIAMETER K	CAP SCREW HOLE DIAMETER	THICKNESS of FLANGE DAMPER S2	CAP SCREW	
							DIMENSION BASED ON TS80	NUMBER
500	450	5	620	560		16		28
600	350	5	720	680	18	16	M16	32
800	400	5	830	880		20		44



YAKUT KAZAN-MAKİNA
İmalat ve Mühendislik Ltd. Şti.

İsiso Sanayi Sitesi 5.Yol J 18-19 Hadımköy / İSTANBUL / TURKEY
Tel: +90 212 623 18 74 • Fax: +90 212 623 18 63

www.yakutkazan.com • info@yakutkazan.com